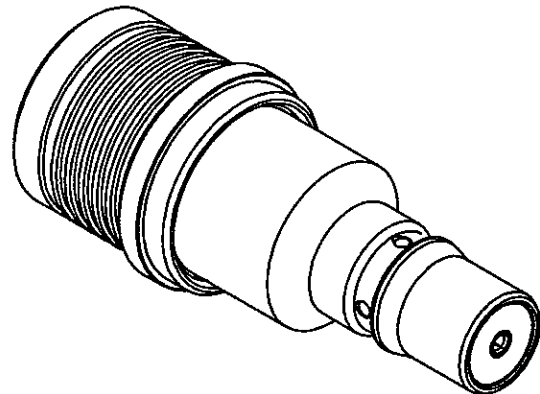
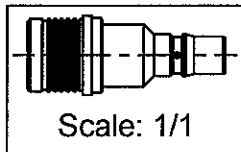
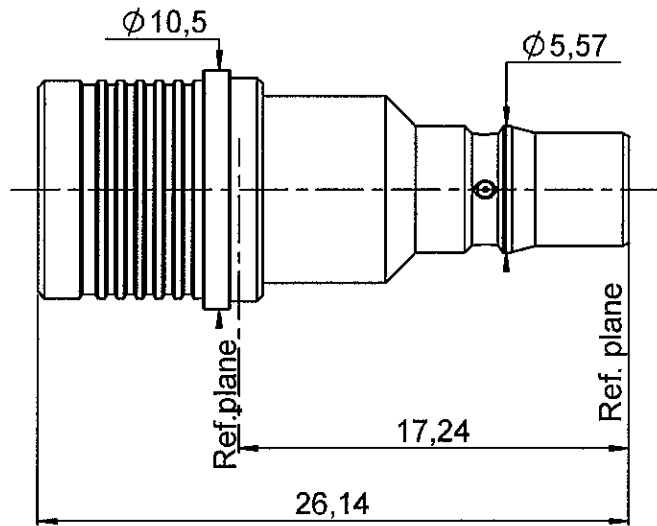


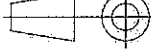
DC BLOCK QMA 10 W 3 GHZ

R443.191.000

Series : DC BLOCK



All dimensions are in mm.

COMPONENTS	MATERIALS	PLATINGS (μm)	
BODY	BRASS	BBR 2	
CENTER CONTACT	BERYLLIUM COPPER	GOLD 1.3 OVER COPPER 2.5	
OUTER CONTACT	BRASS	BBR 2	
INSULATOR	PTFE		
GASKET			
OTHERS PARTS	-		

Issue : 0520 A

In the effort to improve our products, we reserve the right to make changes judged to be necessary.



DC BLOCK QMA 10 W 3 GHZ

R443.191.000

Series : DC BLOCK

ELECTRICAL CHARACTERISTICS

Frequency Range	0.01-3 GHz
Impedance	50 Ω
V.S.W.R	< 1.20
Insertion loss	< 0.3 dB
Average power at 25°C	10 W
Peak power at 25°C (15min,935MHz)	150 W
Main line maximum DC voltage	60 V
Typical capacitance	4700 pF

MECHANICAL CHARACTERISTICS

Connectors	QMA Male	QMA Female
Weight	6.240 g	

ENVIRONMENTAL

Operating temperature range	-40/+85 °C
Storage temperature range	-40/+85 °C

SPECIFICATION

Power derating Versus temperature

